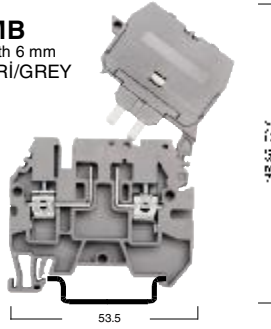


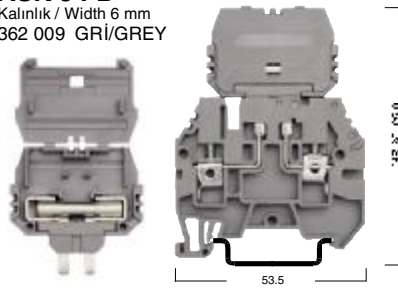
**ASK 3 MB**

Kalınlık / Width 6 mm  
363 009 GRI/GREY



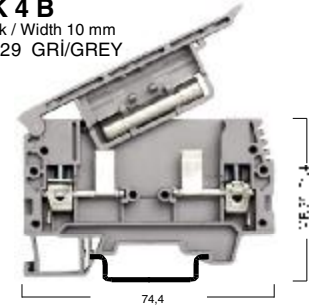
**ASK 3 FB**

Kalınlık / Width 6 mm  
362 009 GRI/GREY



**ASK 4 B**

Kalınlık / Width 10 mm  
360 129 GRI/GREY



Sıkma Torku/ Torque: 0,5 Nm

Sıkma Torku/ Torque: 0,5 Nm

Sıkma Torku/ Torque: 0,8 Nm

Gerilim / Akım / Kesit / Voltage/Current/Cross-section			Gerilim / Akım / Kesit / Voltage/Current/Cross-section			Gerilim / Akım / Kesit / Voltage/Current/Cross-section		
500 V ~ / 16 A / 4 mm <sup>2</sup>			500 V ~ / 16 A / 4 mm <sup>2</sup>			750 V ~ / 6,3 A / 6 mm <sup>2</sup>		
600 V ~ / 10 A / AWG 26-10			600 V ~ / 10 A / AWG 26-10			- V ~ / - A / AWG 22-8		
10 mm			10 mm			12 mm		
0,5 ..... 6 mm <sup>2</sup>			0,5 ..... 6 mm <sup>2</sup>			0,5 ..... 10 mm <sup>2</sup>		
1,5 ..... 4 mm <sup>2</sup>			1,5 ..... 4 mm <sup>2</sup>			1,5 ..... 6 mm <sup>2</sup>		
26 ..... 10			26 ..... 10			22 ..... 8		
Tip/Type	Sip.No./Cat.No.	Mik./Qty.	Tip/Type	Sip.No./Cat.No.	Mik./Qty.	Tip/Type	Sip.No./Cat.No.	Mik./Qty.
ASK 3 MB	363 000	20	ASK 3 FB	362 000	20	ASK 4 B	360 120	20
ASK 3 MB	363 009	20	ASK 3 FB	362 009	20	ASK 4 B	360 129	20
Tip/Type	Sip.No./Cat.No.	Mik./Qty.	Tip/Type	Sip.No./Cat.No.	Mik./Qty.	Tip/Type	Sip.No./Cat.No.	Mik./Qty.
MR 35x7.5	500 601	1 m	MR 35x7.5	500 601	1 m	MR 35x7.5	500 601	1 m
Delikli / Slotted	500 602	1 m	Delikli / Slotted	500 602	1 m	Delikli / Slotted	500 602	1 m
MR 35x7.5	500 603	2 m	MR 35x7.5	500 603	2 m	MR 35x7.5	500 603	2 m
Delikli / Slotted	500 604	2 m	Delikli / Slotted	500 604	2 m	Delikli / Slotted	500 604	2 m
MR 35x7.5	500 605	30 cm	MR 35x7.5	500 605	30 cm	MR 35x7.5	500 605	30 cm
MR 35x15	500 606	1 m	MR 35x15	500 606	1 m	MR 35x15	500 606	1 m
Delikli / Slotted	500 607	1 m	Delikli / Slotted	500 607	1 m	Delikli / Slotted	500 607	1 m
Tip/Type	Sip.No./Cat.No.	Mik./Qty.	Tip/Type	Sip.No./Cat.No.	Mik./Qty.	Tip/Type	Sip.No./Cat.No.	Mik./Qty.
KD 3	495 049	100	KD 3	495 049	100	KD 3	495 049	100
KD 4	495 059	100	KD 4	495 059	100	KD 4	495 059	100
Tip/Type	Sip.No./Cat.No.	Mik./Qty.	Tip/Type	Sip.No./Cat.No.	Mik./Qty.	Not: Nihayet plakası ürün ile birlikte verilmektedir. Note: End plate is given with the product.		
NPP ASK 3	450 050	10	NPP ASK 3	450 050	10			
NPP ASK 3	450 059	10	NPP ASK 3	450 059	10			
Tip/Type	Sip.No./Cat.No.	Mik./Qty.	Tip/Type	Sip.No./Cat.No.	Mik./Qty.	Tip/Type	Sip.No./Cat.No.	Mik./Qty.
UK 4/2	476 232	25	UK 4/2	476 232	25			
UK 4/3	476 233	20	UK 4/3	476 233	20			
UK 4/4	476 234	15	UK 4/4	476 234	15			
UK 4/10	476 239	5	UK 4/10	476 239	5			
Tip/Type	Sip.No./Cat.No.	Mik./Qty.	Tip/Type	Sip.No./Cat.No.	Mik./Qty.	Tip/Type	Sip.No./Cat.No.	Mik./Qty.
GE	496 119	50	GE	496 119	50	GE	496 119	50
ME	496 139	25	ME	496 139	25	ME	496 139	25
DY 5 DB 10/5 DB 10/6 DG 6/5 DG 10/5 DG 10/6			DY 5 DB 10/5 DB 10/6 DG 6/5 DG 10/5 DG 10/6			DY 5		