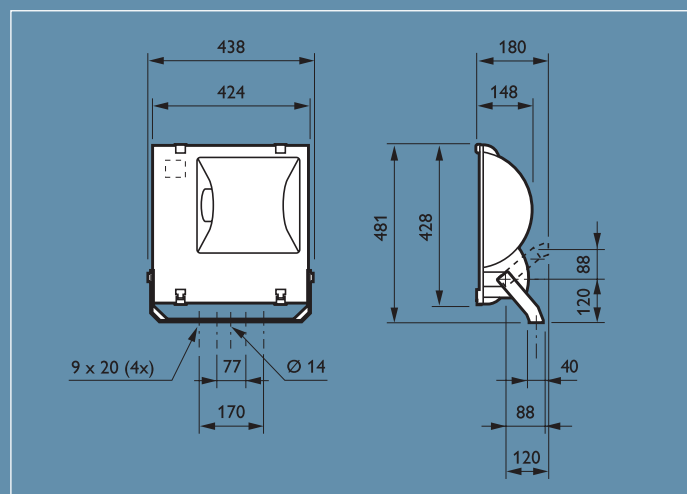




MWF330



Dimensions in mm



MWF330

Compact, sturdy general-purpose floodlight complete with lamp and integral gear, particularly suited to medium-scale area or surface lighting. All-weather construction designed for simple cleaning and speedy servicing.

Main applications

- Car parks
- Parks
- Architecture
- Sport facilities
- Industrial areas
- Security

Suitable lamp types

- SON-T 250 - 400 W
- HPI-T 250 - 400 W

Features

- High-grade symmetrical or asymmetrical reflector projects a highly efficient light beam
- Wall, ceiling and surface mountings with wide ranges of adjustment offer versatile directionality for both down- and up-lighting,
- Rugged, corrosion-resistant housing with integral gear box, supplied as Kombipack complete with lamp
- Compensated electrical control gear ensures constant performance
- Quick, easy access to lamp and gear, without affecting beam adjustment, through hinged front window with quick-release clips
- Heat-resistant silicone gasket bonded to housing renders the luminaire dustproof and jetproof to IP 65
- Also suitable for indoor use in ambient temperatures up to 25 °C (except 400 W asymmetrical versions in ceiling-mounted 'gear up' position)

Materials and finish

Non-corrosive, high-pressure diecast aluminium housing with low copper content and high-grade black polyester finish; pre-anodized (2 micron) high-purity aluminium reflector (99.85 %) with hammered rear surface and smooth side surfaces; 4 mm-thick toughened glass; silicone rubber seal; hot-dipped galvanized steel mounting bracket; all external fixings in stainless steel.

Installation

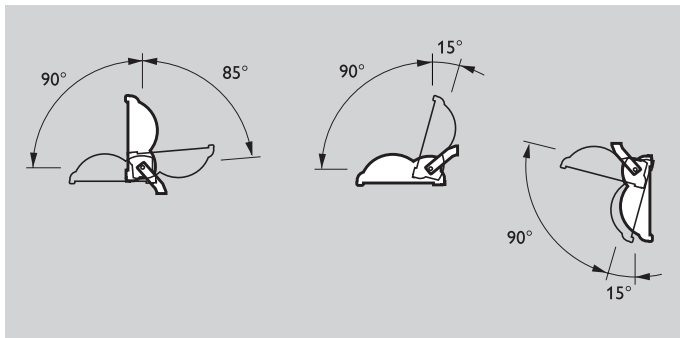
Universal mounting bracket allows ceiling, wall or surface mounting. Cable entry via PG 13.5 cable gland.

Front glass with quick-release hinge-clips for in-position lamp replacement.

Housing dustproof and jetproof to IP 65; no internal cleaning required.

Accessories

Stainless steel U-shaped bracket for mounting on 60-76 mm poles. Louvre and visor.



Adjustment possibilities

Preferred selection

Product ID	Weight (kg)	European Order Code (EOC)
SWF330-1xSON-T250W 230V AK	10.4	92949100
SWF330-1xSON-T250W 230V SK	10.0	92945300
SWF330-1xSON-T400W 230V AK	11.7	92948400
SWF330-1xSON-T400W 230V SK	11.7	92944600
MWF330-1xHPI-T250W 230V AK	9.2	92951400
MWF330-1xHPI-T250W 230V SK	9.2	92947700
MWF330-1xHPI-T400W 230V AK	10.1	92950700
MWF330-1xHPI-T400W 230V SK	10.1	92946000

Accessories	Weight (kg)	European Order Code (EOC)
ZWF330-LOUVRE	0.7	93255200



Integrated gear unit

