

4

DELTA miro

4/6

Introduction

4/8

Frames

4





Showcasing elegance in glass.

A design as pure as crystal – that's the DELTA miro product range. Elegant material, clear-cut lines and a unique slim design are the key features of these switches.

And the operator interface is superbly complemented by the glass frame.

DELTA miro

Beautiful to touch.

DELTA miro stands out because of its high-quality appearance but that's not all – it also offers a wide variety of functions.

The DELTA miro range uses the components of the DELTA i-system range with its broad spectrum of functions.

And you are completely free to choose your favorite combination from the four colors of the DELTA i-system.

DELTA miro

Universal switch
titanium white



Universal switch
electrical white



Universal switch
aluminum metallic



Components of the DELTA miro product range:

- Single to quadruple frames made of glass
- Components from the DELTA i-system product range:
User interfaces, **SCHUKO** outlets, ...
- Set of seals for rockers and outlets for IP44 degree of protection
- Comprehensive functions from the DELTA i-system for:
 - Communication
 - Data and voice networks
 - Shutter/blind control, also with remote control (GAMMA wave)
 - Time switch
 - Room temperature control
 - Dimmer control, also with remote control (GAMMA wave)
 - Motion detection
 - Can be connected to GAMMA *instabus*



Universal switch
carbon



**Combination of universal
switch and (SCHUKO) outlet**
titanium white



DELTA miro

Introduction

Overview

Modular components of the DELTA vita, DELTA i-system, DELTA line and DELTA miro product ranges



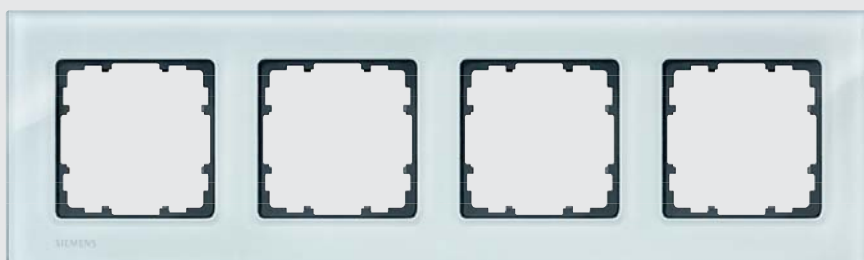
Examples of components DELTA vita Frames with color elements



Examples of components DELTA i-system Rockers and outlet



Examples of components DELTA line Frames



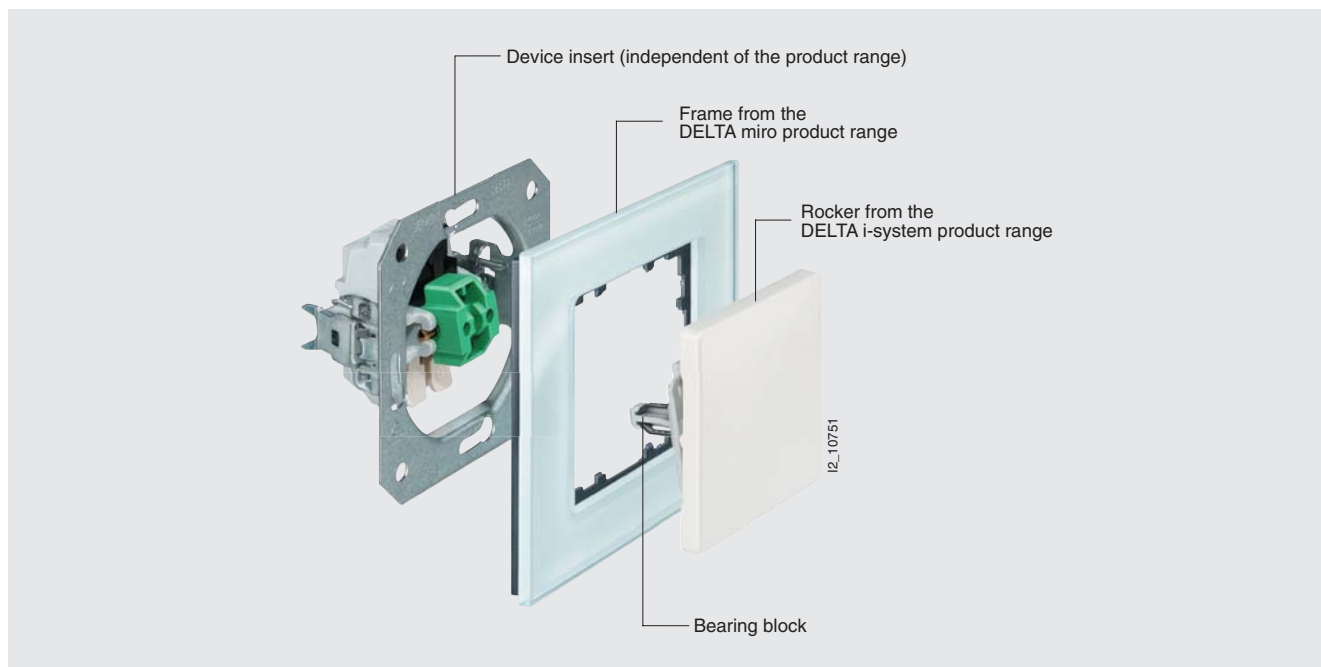
Examples of components DELTA miro Frames

I2_10727c

Technical design of the DELTA miro product range

Note:
in this chapter we will be introducing the frames available in the DELTA miro product range.

All components of the DELTA i-system product range can be used as central inserts and cover plates.



Frames

Selection and ordering data

Design	Order No.	Price 1 item	PG	PS*/ P. unit Items
General information for horizontal and vertical mounting degree of protection IP20				
Note	Section	Page		
All components of the <i>DELTA i-system</i> product range can be used as central inserts and cover plates, see ...	DELTA i-system	1/6		
Degree of protection IP44 for rockers can be achieved with the <i>IP44 set of seals, for rockers</i> , see ...	<i>DELTA i-system / Accessories and spare parts</i>	1/40	5TG4 324	021 1 set/ 10 sets
IP44 degree of protection for SCHUKO outlets with hinged lid can be achieved using an <i>IP44 seal, for outlets</i> , see ...	<i>DELTA i-system / Accessories and spare parts</i>	1/40	5TG4 318	021 1/10
Frame, 90 mm Real glass				
• single, 90 mm x 90 mm			5TG1 201	021 1
• single, 161 mm x 90 mm			5TG1 202	021 1
• single, 232 mm x 90 mm			5TG1 203	021 1
• single, 303 mm x 90 mm			5TG1 204	021 1
Intermediate frames for inserting devices with cover plate 51 mm x 51 mm complies with DIN 49075				
• titanium white (similar to RAL 9010)			5TG2 557	021 1/10
• electrical white (RAL 1013)			5TG2 587	021 1/5
• aluminum metallic (similar to RAL 9006)			5TG1 160	021 1/10
• carbon metallic (similar to RAL 7016)			5TG1 150	021 1/10

