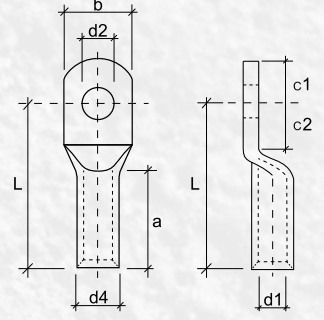


SKP-S1

EUROPE TİP SIKMALI KABLO PABUCU
EUROPE TYPE TUBULAR CABLE LUGS



5846 sayılı yasa gereği fotoğrafların izinsiz yayınlanması ve kullanılması kesinlikle yasaktır.

| ÜRÜN KODU ORDER CODE | KABLO KESİTİ CABLE SECTION (mm) | CİVAȒA DELİĐİ BOLT | BOYUTLAR DIMENSIONS | | | | | | | | KUTU ADEDİ BOX PCS. | KUTU AĐIRLIĐI BOX WEIGHT | KOLİ ADEDİ PARCEL PCS. | KOLİ AĐIRLIĐI BOX WEIGHT | BİRİM FİYATI UNIT PRICE TL |
|----------------------------|---------------------------------------|-----------------------|------------------------|-------------|-------------|-------------|-------------|-------------|-------------|-------------|------------------------|-----------------------------|---------------------------|-----------------------------|-------------------------------|
| | | | d1 | d4 | a | d2 | b | c1 | c2 | L | | | | | |
| SKP-S1/002,5-M04 | 2.5 | M4 | 2,3 | 4,2 | 6,0 | 4,3 | 7,5 | 4,0 | 5,0 | 13,0 | 1000 | ~1,2 kg. | 6000 | ~7,2 kg. | 9,25 |
| SKP-S1/002,5-M05/SD | | M5 | 2,3 | 4,2 | 6,0 | 5,3 | 8,5 | 4,75 | 5,5 | 14,0 | 1000 | ~1,3 kg. | 6000 | ~7,8 kg. | 9,50 |
| SKP-S1/002,5-M06 | | M6 | 2,3 | 4,2 | 6,0 | 6,5 | 9,5 | 6,5 | 6,5 | 16,0 | 1000 | ~1,5 kg. | 6000 | ~9,0 kg. | 10,00 |
| SKP-S1/004-M05/SD | 4 | M5 | 3,0 | 5,0 | 8,0 | 5,3 | 9,0 | 4,75 | 6,0 | 18,0 | 700 | ~1,6 kg. | 4200 | ~9,6 kg. | 10,75 |
| SKP-S1/004-M06 | | M6 | 3,0 | 5,0 | 8,0 | 6,5 | 10,0 | 6,5 | 6,5 | 19,0 | 700 | ~1,8 kg. | 4200 | ~10,8 kg. | 11,25 |
| SKP-S1/004-M08 | | M8 | 3,0 | 5,0 | 8,0 | 8,5 | 13,0 | 8,5 | 9,5 | 22,0 | 700 | ~2,2 kg. | 4200 | ~15,4 kg. | 11,50 |
| SKP-S1/006-M06/SD | 6 | M6 | 3,5 | 6,5 | 9,0 | 6,5 | 12,0 | 6,5 | 7,5 | 21,0 | 500 | ~2,4 kg. | 3000 | ~14,4 kg. | 12,25 |
| SKP-S1/006-M08 | | M8 | 3,5 | 6,5 | 9,0 | 8,5 | 15,0 | 10,0 | 10,0 | 23,0 | 500 | ~2,8 kg. | 3000 | ~16,8 kg. | 12,50 |
| SKP-S1/006-M10 | | M10 | 3,5 | 6,5 | 9,0 | 10,5 | 17,0 | 12,0 | 12,0 | 25,0 | 500 | ~3,0 kg. | 3000 | ~18,0 kg. | 19,00 |
| SKP-S1/006-M12 | M12 | 3,5 | 6,5 | 9,0 | 13,0 | 19,0 | 13,0 | 13,0 | 28,0 | 500 | ~3,5 kg. | 3000 | ~21,0 kg. | 22,25 | |
| SKP-S1/010-M05 | 10 | M5 | 4,5 | 7,0 | 10,0 | 5,5 | 12,0 | 6,5 | 7,5 | 22,0 | 500 | ~2,1 kg. | 3.000 | ~12,6 kg. | 12,75 |
| SKP-S1/010-M06/SD | | M6 | 4,5 | 7,0 | 10,0 | 6,5 | 12,0 | 6,2 | 7,5 | 22,0 | 500 | ~2,1 kg. | 3.000 | ~12,6 kg. | 12,75 |
| SKP-S1/010-M08 | | M8 | 4,5 | 7,5 | 10,0 | 8,5 | 15,0 | 10,0 | 10,0 | 25,0 | 400 | ~2,4 kg. | 2.400 | ~14,4 kg. | 15,00 |
| SKP-S1/010-M10 | | M10 | 4,5 | 7,5 | 10,0 | 10,5 | 17,0 | 12,0 | 12,0 | 27,0 | 400 | ~2,6 kg. | 2.400 | ~15,6 kg. | 17,00 |
| SKP-S1/010-M12 | M12 | 4,5 | 7,5 | 10,0 | 13,0 | 19,0 | 13,0 | 13,0 | 29,0 | 400 | ~2,7 kg. | 2.400 | ~16,2 kg. | 21,75 | |
| SKP-S1/016-M05 | 16 | M5 | 5,5 | 8,5 | 13,0 | 5,5 | 12,0 | 5,5 | 6,5 | 26,0 | 400 | ~2,2 kg. | 2.400 | ~13,2 kg. | 20,75 |
| SKP-S1/016-M06 | | M6 | 5,5 | 8,5 | 13,0 | 6,5 | 12,0 | 6,2 | 7,5 | 27,0 | 400 | ~3,4 kg. | 2.400 | ~20,4 kg. | 20,75 |
| SKP-S1/016-M08/SD | | M8 | 5,5 | 8,5 | 13,0 | 8,4 | 15,0 | 8,5 | 9,5 | 29,0 | 300 | ~2,8 kg. | 1.800 | ~16,8 kg. | 20,75 |
| SKP-S1/016-M10 | | M10 | 5,5 | 8,5 | 13,0 | 10,5 | 17,0 | 10,5 | 11,5 | 31,0 | 300 | ~3,0 kg. | 1.800 | ~18,0 kg. | 25,00 |
| SKP-S1/016-M12 | M12 | 5,5 | 8,5 | 13,0 | 13,0 | 19,0 | 13,0 | 13,0 | 33,0 | 250 | ~2,6 kg. | 1.500 | ~15,6 kg. | 30,00 | |
| SKP-S1/025-M05 | 25 | M5 | 7,0 | 10,0 | 15,0 | 5,5 | 14,0 | 7,5 | 7,5 | 30,0 | 200 | ~2,5 kg. | 1.200 | ~15,0 kg. | 29,25 |
| SKP-S1/025-M06 | | M6 | 7,0 | 10,0 | 15,0 | 6,5 | 14,0 | 7,5 | 7,5 | 30,0 | 200 | ~2,4 kg. | 1.200 | ~14,4 kg. | 29,25 |
| SKP-S1/025-M08/SD | | M8 | 7,0 | 10,0 | 15,0 | 8,4 | 16,0 | 10,0 | 10,0 | 32,0 | 200 | ~2,7 kg. | 1.200 | ~16,2 kg. | 29,25 |
| SKP-S1/025-M10 | | M10 | 7,0 | 10,0 | 15,0 | 10,5 | 18,0 | 12,0 | 12,0 | 34,0 | 200 | ~2,8 kg. | 1.200 | ~16,8 kg. | 32,00 |
| SKP-S1/025-M12 | M12 | 7,0 | 10,0 | 15,0 | 13,0 | 19,0 | 13,0 | 13,0 | 35,0 | 200 | ~2,8 kg. | 1.200 | ~16,8 kg. | 36,00 | |
| SKP-S1/035-M06 | 35 | M6 | 8,5 | 12,0 | 17,0 | 6,5 | 17,0 | 7,5 | 7,5 | 32,0 | 125 | ~2,3 kg. | 750 | ~13,8 kg. | 42,50 |
| SKP-S1/035-M08/SD | | M8 | 8,5 | 12,0 | 17,0 | 8,4 | 17,0 | 10,0 | 10,0 | 34,0 | 125 | ~2,5 kg. | 750 | ~15,0 kg. | 42,50 |
| SKP-S1/035-M10 | | M10 | 8,5 | 12,0 | 17,0 | 10,5 | 19,0 | 12,0 | 12,0 | 37,0 | 125 | ~2,7 kg. | 750 | ~16,2 kg. | 49,50 |
| SKP-S1/035-M12 | | M12 | 8,5 | 12,0 | 17,0 | 13,0 | 21,0 | 13,0 | 13,0 | 38,0 | 125 | ~2,7 kg. | 750 | ~16,2 kg. | 51,50 |
| SKP-S1/035-M16 | M16 | 8,5 | 12,0 | 17,0 | 17,0 | 26,0 | 16,0 | 16,0 | 42,0 | 100 | ~2,9 kg. | 600 | ~17,4 kg. | 64,00 | |
| SKP-S1/050-M06 | 50 | M6 | 10,0 | 14,0 | 19,0 | 6,5 | 20,0 | 10,0 | 10,0 | 37,0 | 80 | ~2,4 kg. | 480 | ~14,4 kg. | 69,25 |
| SKP-S1/050-M08 | | M8 | 10,0 | 14,0 | 19,0 | 8,5 | 20,0 | 10,0 | 10,0 | 37,0 | 80 | ~2,3 kg. | 480 | ~13,8 kg. | 69,25 |
| SKP-S1/050-M10/SD | | M10 | 10,0 | 14,0 | 19,0 | 10,5 | 20,0 | 12,0 | 12,0 | 39,0 | 80 | ~2,5 kg. | 480 | ~15,0 kg. | 66,50 |
| SKP-S1/050-M12 | | M12 | 10,0 | 14,0 | 19,0 | 13,0 | 23,0 | 13,0 | 13,0 | 43,0 | 80 | ~2,7 kg. | 480 | ~16,2 kg. | 75,25 |
| SKP-S1/050-M14 | | M14 | 10,0 | 14,0 | 19,0 | 15,0 | 23,0 | 14,5 | 14,5 | 45,0 | 80 | ~2,7 kg. | 480 | ~16,2 kg. | 75,75 |
| SKP-S1/050-M16 | | M16 | 10,0 | 14,0 | 19,0 | 17,0 | 28,0 | 16,0 | 16,0 | 46,0 | 80 | ~2,8 kg. | 480 | ~16,8 kg. | 87,25 |
| SKP-S1/050-M20 | M20 | 10,0 | 14,0 | 19,0 | 21,0 | 30,0 | 19,0 | 19,0 | 48,0 | 80 | ~2,7 kg. | 480 | ~16,2 kg. | 99,00 | |
| SKP-S1/070-M06 | 70 | M6 | 12,0 | 16,5 | 21,0 | 6,5 | 23,0 | 10,0 | 10,0 | 43,0 | 60 | ~2,8 kg. | 360 | ~16,8 kg. | 96,25 |
| SKP-S1/070-M08 | | M8 | 12,0 | 16,5 | 21,0 | 8,5 | 23,0 | 10,0 | 10,0 | 43,0 | 60 | ~2,7 kg. | 360 | ~16,2 kg. | 95,25 |
| SKP-S1/070-M10/SD | | M10 | 12,0 | 16,5 | 21,0 | 10,5 | 23,0 | 12,0 | 12,0 | 44,0 | 60 | ~2,8 kg. | 360 | ~16,8 kg. | 95,25 |
| SKP-S1/070-M12 | | M12 | 12,0 | 16,5 | 21,0 | 13,0 | 23,0 | 13,0 | 13,0 | 46,0 | 60 | ~2,9 kg. | 360 | ~17,4 kg. | 102,00 |
| SKP-S1/070-M14 | | M14 | 12,0 | 16,5 | 21,0 | 15,0 | 23,0 | 14,5 | 14,5 | 48,0 | 60 | ~2,9 kg. | 360 | ~17,4 kg. | 105,75 |
| SKP-S1/070-M16 | | M16 | 12,0 | 16,5 | 21,0 | 17,0 | 28,0 | 16,0 | 16,0 | 50,0 | 50 | ~2,6 kg. | 300 | ~15,6 kg. | 140,00 |
| SKP-S1/070-M20 | M20 | 12,0 | 16,5 | 21,0 | 21,0 | 30,0 | 19,0 | 19,0 | 53,0 | 50 | ~2,6 kg. | 300 | ~15,6 kg. | 155,00 | |