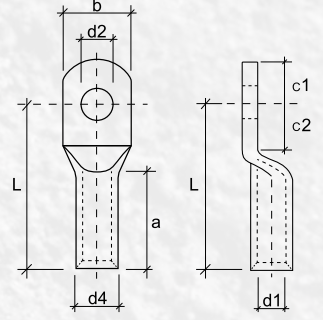




SKP-S2

SIKMALI KABLO PABUCU
LONG BARREL TUBULAR CABLE LUGS



5846 sayılı yasa gereği fotoğrafların izinsiz yayınlanması ve kullanılması kesinlikle yasaktır.

ÜRÜN KODU ORDER CODE	KABLO KESİTİ CABLE SECTION (mm)	CİVAȒA DELİĐİ BOLT	BOYUTLAR DIMENSIONS								KUTU ADEĐİ BOX PCS.	KUTU AĐIRLIĐI BOX WEIGHT	KOLİ ADEĐİ PARCEL PCS.	KOLİ AĐIRLIĐI BOX WEIGHT	BİRİM FİYATI UNIT PRICE TL
			d1	d4	a	d2	b	c1	c2	L					
SKP-S2/010-M05	10	M5	4,5	7,0	14,0	5,5	12,0	6,5	7,5	26,0	400	~2,6 kg.	3.200	~20,8 kg.	16,00
SKP-S2/010-M06/SD		M6	4,5	7,0	14,0	6,5	12,0	6,2	7,5	26,0	400	~2,4 kg.	3.200	~19,2 kg.	15,25
SKP-S2/010-M08		M8	4,5	7,5	14,0	8,5	15,0	10,0	10,0	29,0	400	~2,7 kg.	3.200	~21,6 kg.	18,25
SKP-S2/010-M10		M10	4,5	7,5	14,0	10,5	17,0	12,0	12,0	31,0	400	~2,9 kg.	3.200	~23,2 kg.	20,25
SKP-S2/010-M12		M12	4,5	7,5	14,0	13,0	19,0	13,0	13,0	33,0	300	~3,0 kg.	2.400	~24,0 kg.	26,25
SKP-S2/016-M05	16	M5	5,5	8,5	17,0	5,5	12,0	5,5	6,5	30,0	250	~2,5 kg.	2.000	~20,0 kg.	26,25
SKP-S2/016-M06		M6	5,5	8,5	17,0	6,5	12,0	6,2	7,5	31,0	250	~2,6 kg.	2.000	~20,8 kg.	26,25
SKP-S2/016-M08/SD		M8	5,5	8,5	17,0	8,4	15,0	8,5	9,5	33,0	250	~2,7 kg.	2.000	~21,6 kg.	24,75
SKP-S2/016-M10		M10	5,5	8,5	17,0	10,5	17,0	10,5	11,5	35,0	250	~2,9 kg.	2.000	~23,2 kg.	30,50
SKP-S2/016-M12		M12	5,5	8,5	17,0	13,0	19,0	13,0	13,0	37,0	250	~3,1 kg.	2.000	~24,8 kg.	35,75
SKP-S2/025-M05	25	M5	7,0	10,0	19,0	5,5	14,0	7,5	7,5	34,0	175	~2,4 kg.	1.400	~19,2 kg.	34,50
SKP-S2/025-M06		M6	7,0	10,0	19,0	6,5	14,0	7,5	7,5	34,0	175	~2,4 kg.	1.400	~19,2 kg.	34,50
SKP-S2/025-M08/SD		M8	7,0	10,0	19,0	8,4	16,0	10,0	10,0	36,0	175	~2,6 kg.	1.400	~20,8 kg.	34,50
SKP-S2/025-M10		M10	7,0	10,0	19,0	10,5	18,0	12,0	12,0	38,0	175	~2,8 kg.	1.400	~22,4 kg.	38,00
SKP-S2/025-M12		M12	7,0	10,0	19,0	13,0	19,0	13,0	13,0	39,0	175	~2,7 kg.	1.400	~21,6 kg.	43,25
SKP-S2/035-M06	35	M6	8,5	12,0	23,0	6,5	17,0	7,5	7,5	38,0	100	~2,2 kg.	800	~17,6 kg.	51,50
SKP-S2/035-M08/SD		M8	8,5	12,0	23,0	8,4	17,0	10,0	10,0	40,0	100	~2,3 kg.	800	~18,4 kg.	51,50
SKP-S2/035-M10		M10	8,5	12,0	23,0	10,5	19,0	12,0	12,0	43,0	100	~2,5 kg.	800	~20,0 kg.	56,75
SKP-S2/035-M12		M12	8,5	12,0	23,0	13,0	21,0	13,0	13,0	44,0	100	~2,5 kg.	800	~20,0 kg.	61,00
SKP-S2/035-M16		M16	8,5	12,0	23,0	17,0	26,0	16,0	16,0	48,0	100	~2,6 kg.	800	~20,8 kg.	76,00
SKP-S2/050-M06	50	M6	10,0	14,0	25,0	6,5	20,0	10,0	10,0	43,0	60	~2,1 kg.	480	~16,8 kg.	79,25
SKP-S2/050-M08		M8	10,0	14,0	25,0	8,5	20,0	10,0	10,0	43,0	60	~2,0 kg.	480	~16,0 kg.	79,25
SKP-S2/050-M10/SD		M10	10,0	14,0	25,0	10,5	20,0	12,0	12,0	45,0	60	~2,1 kg.	480	~16,8 kg.	76,00
SKP-S2/050-M12		M12	10,0	14,0	25,0	13,0	23,0	13,0	13,0	49,0	60	~2,3 kg.	480	~18,4 kg.	89,50
SKP-S2/050-M16		M16	10,0	14,0	25,0	17,0	28,0	16,0	16,0	52,0	60	~2,3 kg.	480	~18,4 kg.	106,25
SKP-S2/050-M20	M20	10,0	14,0	25,0	21,0	30,0	19,0	19,0	54,0	60	~2,3 kg.	480	~18,4 kg.	115,75	
SKP-S2/070-M06	70	M6	12,0	16,5	29,0	6,5	23,0	10,0	10,0	51,0	50	~2,7 kg.	400	~21,6 kg.	115,75
SKP-S2/070-M08		M8	12,0	16,5	29,0	8,5	23,0	10,0	10,0	51,0	50	~2,6 kg.	400	~20,8 kg.	115,75
SKP-S2/070-M10/SD		M10	12,0	16,5	29,0	10,5	23,0	12,0	12,0	52,0	50	~2,7 kg.	400	~21,6 kg.	112,50
SKP-S2/070-M12		M12	12,0	16,5	29,0	13,0	23,0	13,0	13,0	54,0	50	~2,7 kg.	400	~21,6 kg.	124,00
SKP-S2/070-M16		M16	12,0	16,5	29,0	17,0	28,0	16,0	16,0	58,0	50	~2,9 kg.	400	~23,2 kg.	162,50
SKP-S2/070-M20	M20	12,0	16,5	29,0	21,0	30,0	19,0	19,0	61,0	50	~3,0 kg.	400	~24,0 kg.	182,25	
SKP-S2/095-M08	95	M8	13,5	18,0	33,0	8,5	26,0	12,0	12,0	56,0	40	~2,6 kg.	320	~20,8 kg.	124,00
SKP-S2/095-M10		M10	13,5	18,0	33,0	10,5	26,0	12,0	12,0	56,0	40	~2,6 kg.	320	~20,8 kg.	124,00
SKP-S2/095-M12/SD		M12	13,5	18,0	33,0	13,0	26,0	13,0	13,0	57,0	40	~2,6 kg.	320	~20,8 kg.	122,75
SKP-S2/095-M16		M16	13,5	18,0	33,0	17,0	28,0	16,0	16,0	62,0	40	~2,7 kg.	320	~21,6 kg.	142,50
SKP-S2/095-M20		M20	13,5	18,0	33,0	21,0	36,0	22,0	22,0	68,0	40	~3,1 kg.	320	~24,8 kg.	182,25
SKP-S2/120-M08	120	M8	15,0	19,5	36,0	8,5	28,0	14,0	14,0	61,0	30	~2,4 kg.	240	~19,2 kg.	149,75
SKP-S2/120-M10		M10	15,0	19,5	36,0	10,5	28,0	14,0	14,0	61,0	30	~2,3 kg.	240	~18,4 kg.	149,75
SKP-S2/120-M12/SD		M12	15,0	19,5	36,0	13,0	28,0	14,0	14,0	61,0	30	~2,3 kg.	240	~18,4 kg.	142,50
SKP-S2/120-M16		M16	15,0	19,5	36,0	17,0	30,0	16,0	16,0	64,0	30	~2,3 kg.	240	~18,4 kg.	152,00
SKP-S2/120-M20		M20	15,0	19,5	36,0	21,0	36,0	22,0	22,0	73,0	30	~2,7 kg.	240	~21,6 kg.	183,00